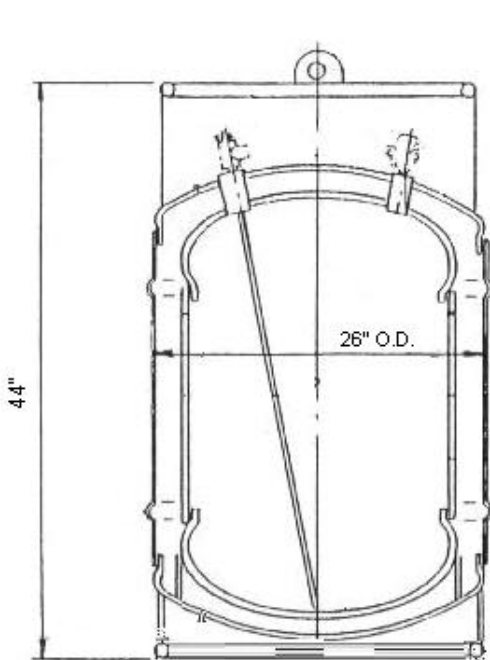




ARC Specialty Products, Balchem Corporation
52 Sunrise Park Road
New Hampton, NY 10973
845-326-5641
www.balchem.com

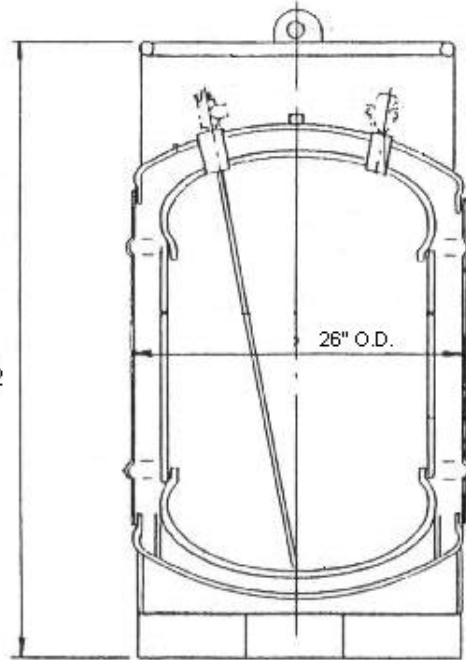
ETHYLENE OXIDE DRUM DIMENSIONS

UN 1A1 Stainless Steel Drum
Custom Manufactured for Handling Ethylene Oxide
Valve connections: Liquid:CGA-510, with eductor tube
 Vent (Nitrogen): CGA-580



NON-PALLET DRUM

Tare Weight: approx. 275 pounds



PALLET DRUM

Tare Weight: approx. 305 pounds

The above representations are intended to be a guide only.
For additional information, please contact your ARC Specialty
Products Representative. All persons handling Ethylene Oxide
must be familiar with appropriate Federal, State, and Local
Regulations.